

Design Your Deck

Print Out The Grid

Using the grid on page 2 of this document, print and cut out the size of your deck. Each square in the grid represents 12 inches or 1 foot.

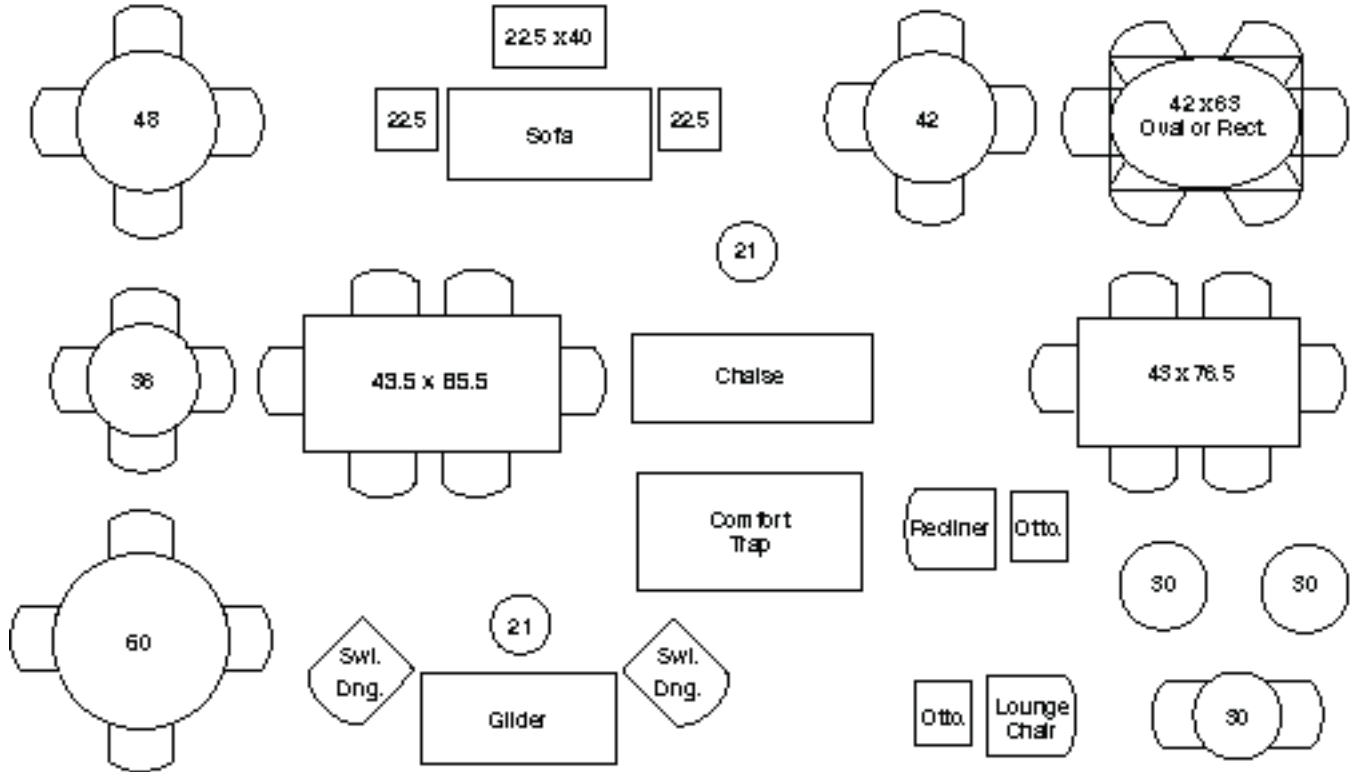
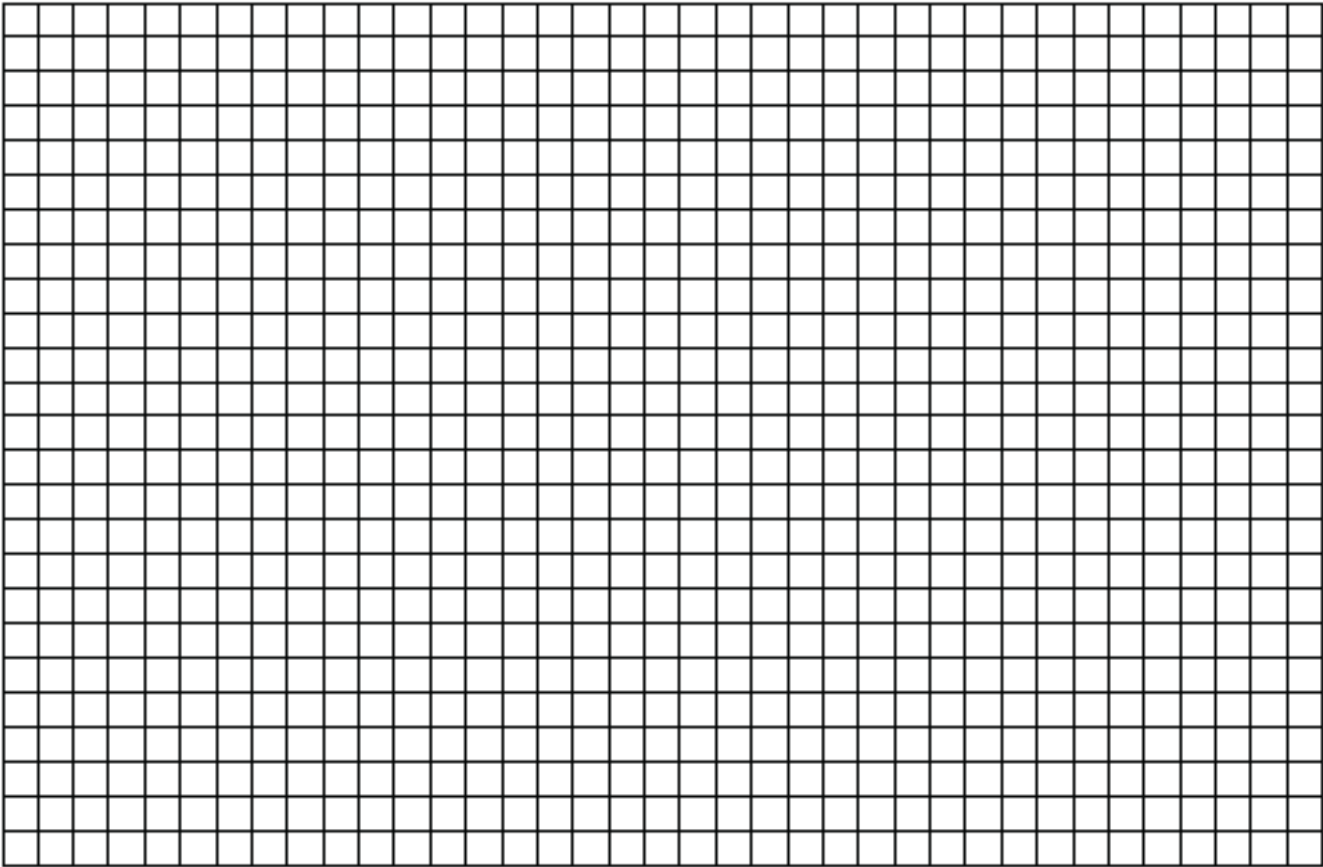
Then cut out and place the furniture pieces you plan to purchase on your deck layout. The numbers on the table pieces indicate standard sizes for dining sets in inches.

Create your own deep seating pieces using these basic dimensions:

- Club Chair: 32" wide x 36" deep (2.5 x 3 squares)
- Loveseat: 54" wide x 36" deep (4.5 x 3 squares)
- Sofa: 78" wide x 36" deep (6.5 x 3 squares)

Plan For Movement

Make sure to factor in door swings, minimum three foot walkways and at least 18" (or 1.5 squares) behind dining chairs to gain access.



Numbers on tables indicate inches.